

# SPARK

ALL-ELECTRIC SERIES  
Specifications (100-230tons)

10 X FASTER

MORE APPLICATIONS

BREAKTHROUGH  
TECHNOLOGY

**Hong Kong**

13-15, Dai Wang Street, Tai Po Industrial Estate, Tai Po, Hong Kong

Tel: +852 2665 3222

Website: [www.chenhsong.com](http://www.chenhsong.com)

Email: [marketing@chenhsong.com](mailto:marketing@chenhsong.com)

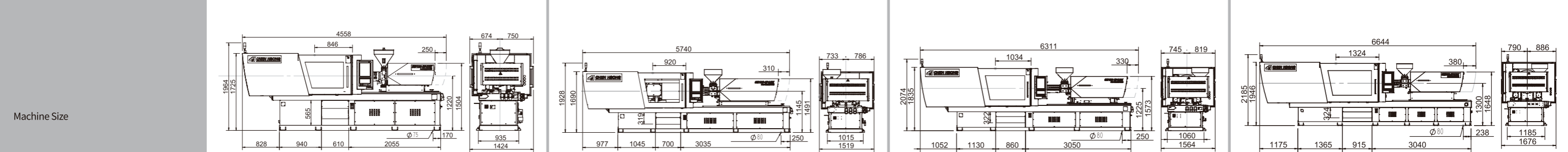
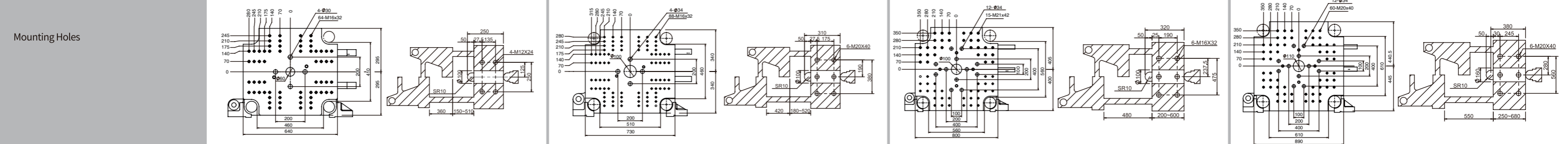
# Specifications

		SM100-SPARK			SM150-SPARK				SM180-SPARK			SM230-SPARK		
Injection Unit		A	B	C	A	B	C	D	A	B	C	A	B	C
Screw Diameter	mm	25	28	32	32	36	41	46	36	41	46	36	41	46
Screw L/D Ratio	L/D	20			20				20			20		
Screw Stroke	mm	100	112	112	160	180	205	230	180	205	230	180	205	230
Swept Volume (theoretical)	cm <sup>3</sup>	49	69	90	128	183	271	382	183	271	382	183	271	382
Shot Weight (PS)	g	45	63	82	117	167	246	348	167	246	348	167	246	348
	oz	1.6	2.2	2.9	4.1	5.9	8.7	12.3	5.9	8.7	12.3	5.9	8.7	12.3
Injection Rate	cm <sup>3</sup> /s	172	216	281	281	356	462	582	356	462	582	356	462	582
Injection Speed	mm/s	350			350				350			350		
Injection Pressure	Mpa	260	220	175	300	235	183	145	250	235	177	250	235	176
Holding Pressure	Mpa	208	176	140	240	188	146.4	116	200	188	142	200	188	142
Screw Rotation Speed	rpm	350			350				300			300		
Barrel Heating Power	kW	6.3	7.2	8.2	10.5	12.4	14.3	16.2	12.4	14.3	16.2	12.4	14.3	16.2
Barrel Temperature Zones		3+1			3+1				3+1			3+1		
Nozzle Contact Force	kN	19.6			24.5				24.5			24.5		
Clamping Unit														
Clamping Force	kN	1000			1500				1800			2270		
Opening Stroke	mm	360			420				480			550		
Min. Mould Thickness	mm	150			180				200			250		
Max. Mould Thickness	mm	510			520				600			680		
Space Between Tie Bars	mm	460x410			510x460				560x560			610x610		
Max. Daylight	mm	870			940				1080			1230		
Ejector Force	kN	24.5			34.3				34.3			51.9		
Ejector Stroke	mm	100			120				120			150		
Power Pack														
Input Power		380V50HZ			380V50HZ				380V50HZ			380V50HZ		
Max. Power Draw	kVA	36			45				50			50		

Other Parts														
Machine Dimensions (LxWxH)	mm	4558x1424x1964			5740x1519x1928				6311x1564x2074			6644x1676x2185		

Machine Weight	T	3.9			6.3				7.5			10		
----------------	---	-----	--	--	-----	--	--	--	-----	--	--	----	--	--

Platen Dimensions														
-------------------	--	--	--	--	--	--	--	--	--	--	--	--	--	--



\*The above technical parameters are for reference only, and there may be deviations under different circumstances. Chen Hsong constantly seeks improvements to products, so it reserves the right to change product specifications and parameters without prior notice. The final interpretation of this specification sheet is governed by the company.